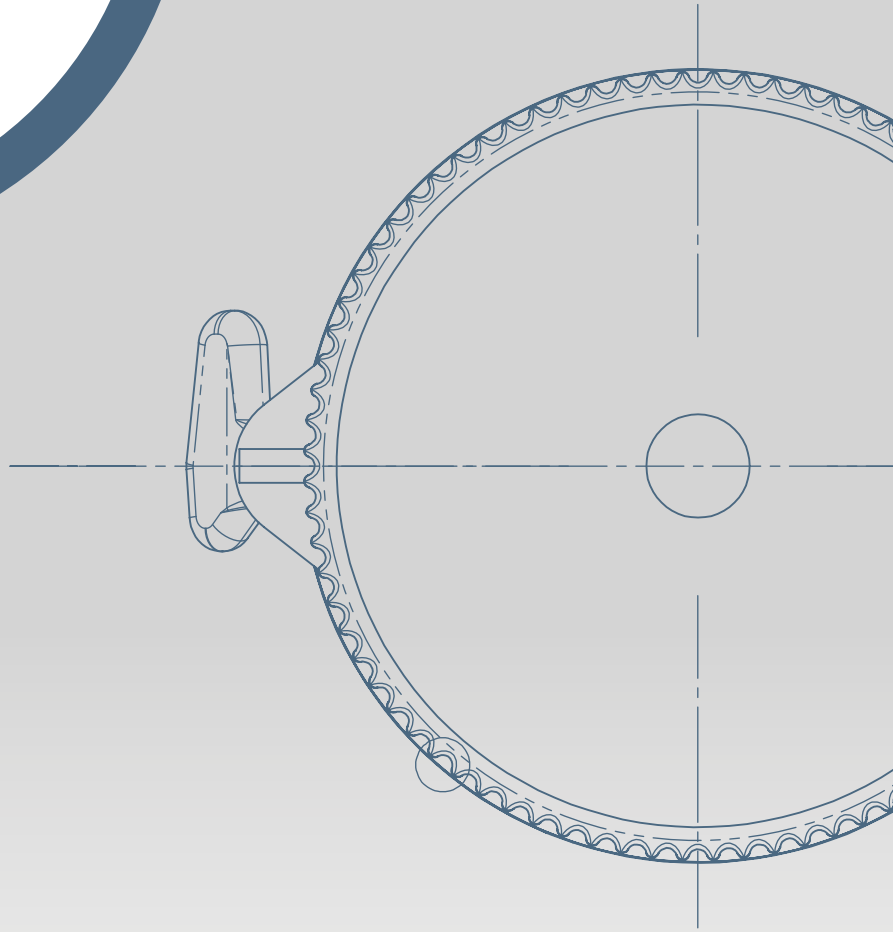
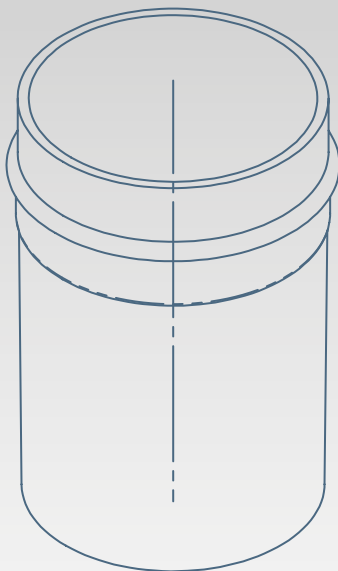




SPECIALITY PLASTICS

Pharmaceutical



BOXMORE
PACKAGING



BOXMORE PACKAGING

SPECIALITY PLASTICS PHARMACEUTICAL



Securitainers

Boxmore's securitainers are wide necked, cylindrical high gloss polypropylene containers manufactured to exacting tolerances and can be supplied Gamma Irradiated. The securitainers have two sealing points between the cap and body of the container resulting in an extremely effective seal, perfect for moisture sensitive products. These containers are suited to a range of products including medical and pharmaceutical, ideal for the storage of tablets, capsules, powders, herbal remedies and sample sending. We are able to offer in-mould labelled containers for large volume variants in five container sizes.

26mm



	26mm x 41	26mm x 51	26mm x 63
Quantity	2000	1500	1000
Weight	3.4 g	4.5 g	5.3 g
Material	PP	PP	PP

26mm



35mm



	35mm x 52	35mm x 63	35mm x 82
Quantity	850	600	500
Weight	7.8 g	9.4 g	11.1 g
Material	PP	PP	PP

35mm



49mm

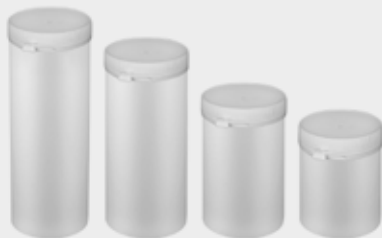


	49mm x 75	49mm x 100	49mm x 152
Quantity	300	230	400
Weight	17 g	20.6 g	12.9 g
Material	PP	PP	PP

49mm



62mm



	62mm x 90	62mm x 113	62mm x 152	62mm x 178
Quantity	150	100	90	50
Weight	23.5 g	29 g	39 g	50 g
Material	PP	PP	PP	PP

62mm



IML



	35mm x 52	35mm x 63	35mm x 82	49mm x 75	49mm x 152
Quantity	850	600	500	300	400
Weight	7.8 g	9.4 g	11.1 g	17g	12.9 g
Material	PP	PP	PP	PP	PP

IML

